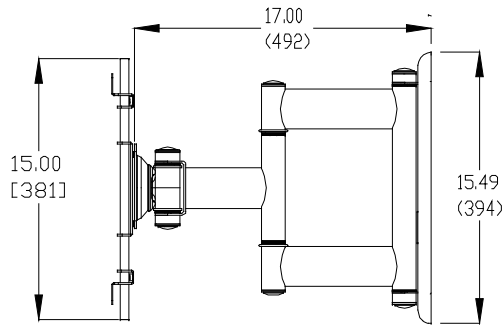
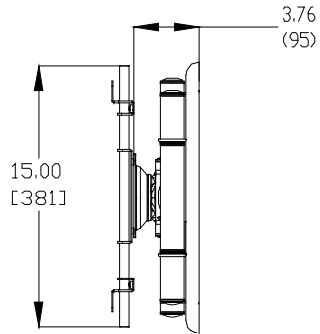
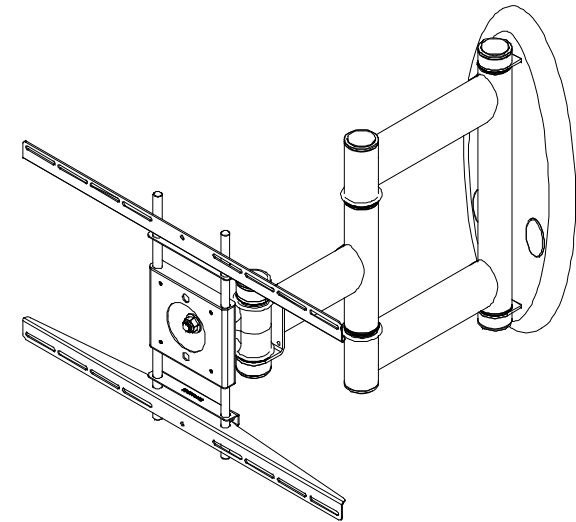
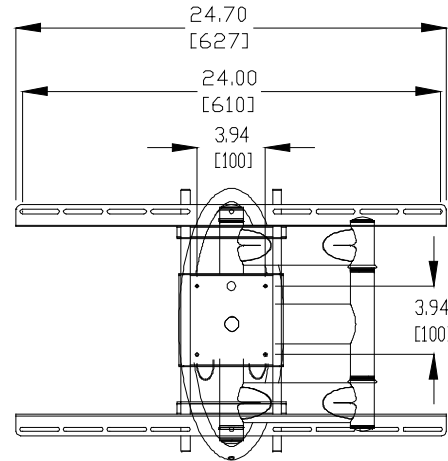


THE INFORMATION CONTAINED IN THIS DRAWING IS THE SOLE PROPERTY OF PREMIER MOUNT DIVISION OF <PMPI> ANY REPRODUCTION IN PART OR WHOLE WITHOUT THE WRITTEN PERMISSION OF PREMIER MOUNT DIVISION OF <PMPI> IS PROHIBITED.

REVISIONS		
REV.	DESCRIPTION	DATE



15.49  
(394)



FRONT ISOMETRIC

Architectural Specifications

The wall mount will be a Premier Mounts LPSA-3742, or equivalent, and can be used to mount flat panel displays from a variety of wall structures. It will mount to wood joists or concrete. It will be made of cold-rolled steel and will support up to 80lbs. Assembly and installation will be performed according to the instructions provided by the manufacturer.

Surface Types - Wood or Concrete

Weight Capacity - 80lbs.

Dimensions - 5.98" (W) x 15.49" (H) x 3.7" (D)

Attachment - Wood Screws and Concrete Wedge Anchors